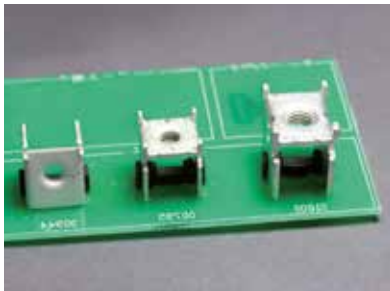


# TP Powerelemente



### Merkmale

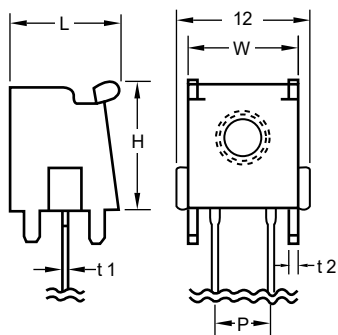
- mit Innengewinde M3 oder M4
- für THT-Bestückung
- Materialstärke: 0,5 mm, 0,8 mm oder 1,0 mm
- Material: Messing verzinkt

**!** Strombelastbarkeit

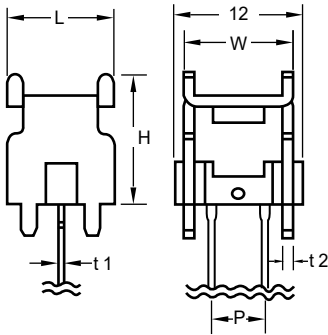
M3	15 A
M4	40 A

Abmessungen ▶ Einheit = mm

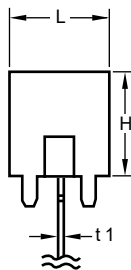
**TP00944-23**



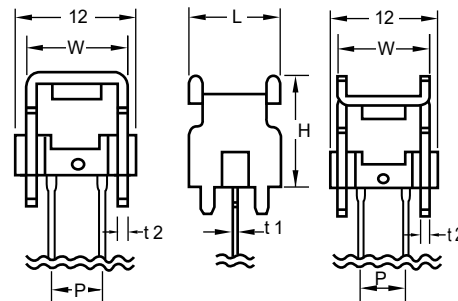
**TP01043-23**



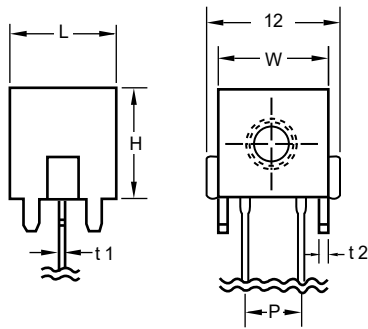
**TP01044-23**



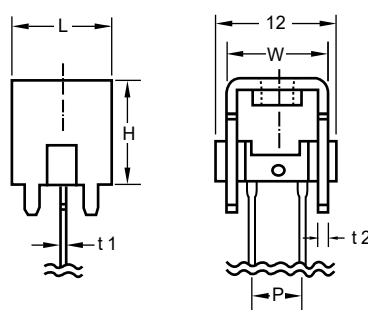
**TP01584-23**



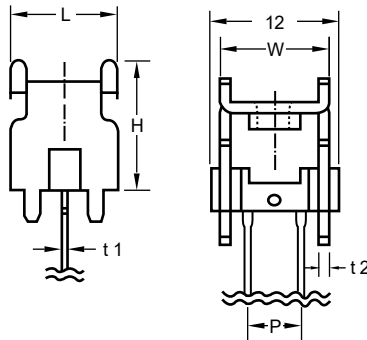
**TP00755-23 + TP00799-23**



**TP00783-23 + TP00784-23**



**TP00794-23 + TP00795-23**



Typ	Gewindegröße	L (mm)	W (mm)	H (mm)	t1 (mm)	t2 (mm)	P (mm)	Trägerelement	VPE (Stck.)
TP00944-23	M4	10,0	10,0	11,5	0,5	0,8	5,0	PBT G30% schwarz UL94V-0	700
TP01043-23	M4	10,0	10,2	12,0	0,5	1,0	5,0	PBT G30% schwarz UL94V-0	700
TP01044-23	M4	10,0	10,2	10,0	0,5	1,0	5,0	PBT G30% schwarz UL94V-0	700
TP01584-23	M4	10,0	10,2	12,0	0,5	1,0	5,0	PBT G15% schwarz UL94V-0	700
TP00755-23	M4	10,0	10,0	10,0	0,5	0,8	5,0	PBT G30% schwarz UL94V-0	700
TP00799-23	M3	10,0	10,0	10,0	0,5	0,8	5,0	PBT G30% schwarz UL94V-0	700
TP00783-23	M3	10,0	10,0	10,0	0,5	0,8	5,0	PBT G30% schwarz UL94V-0	700
TP00784-23	M4	10,0	10,0	10,0	0,5	0,8	5,0	PBT G30% schwarz UL94V-0	700
TP00794-23	M3	10,0	10,0	12,0	0,5	0,8	5,0	PBT G30% schwarz UL94V-0	700
TP00795-23	M4	10,0	10,0	12,0	0,5	0,8	5,0	PBT G30% schwarz UL94V-0	700