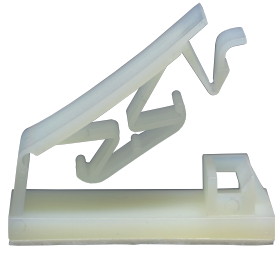


FCN-P/M Flachbandkabelhalter

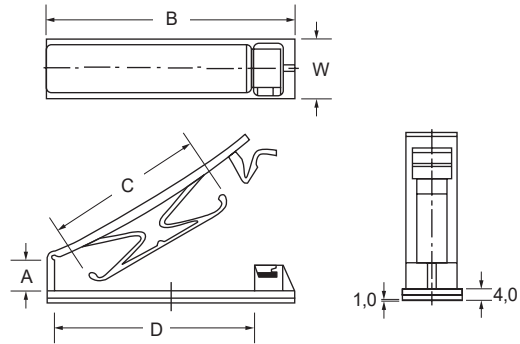


Merkmale

- Klebmontage
- Material: Nylon 66, UL94V-2
- Farbe: natur

Abmessungen

► Einheit = mm



| Art.-Nr. | Typ | A (mm) | B (mm) | C (mm) | D (mm) | W (mm) | für Kabel max. (mm) |
|-----------|---------|--------|--------|--------|--------|--------|---------------------|
| 221 02 25 | FCN-25P | 12,0 | 47,0 | 23,0 | 32,0 | 19,0 | 32,0 x 2,6 |
| 221 02 50 | FCN-50P | 16,0 | 79,0 | 50,0 | 64,0 | 19,0 | 63,5 x 7,0 |
| 221 02 60 | FCC-60M | 26,0 | 90,0 | 76,0 | 78,0 | 19,0 | 77,0 x 16,0 |